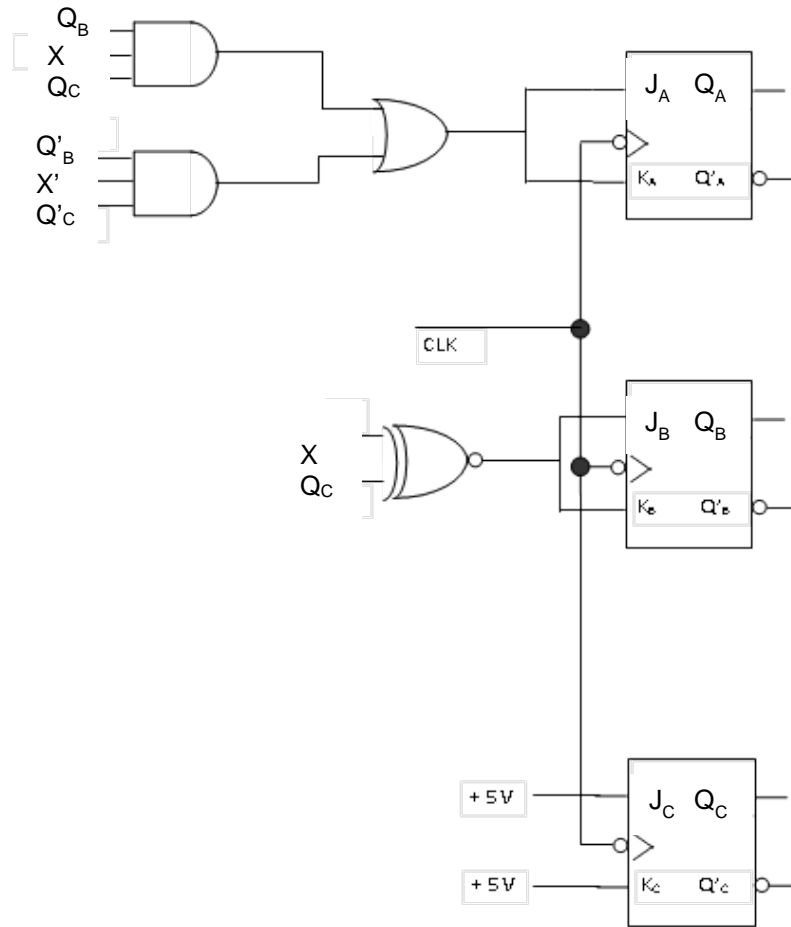


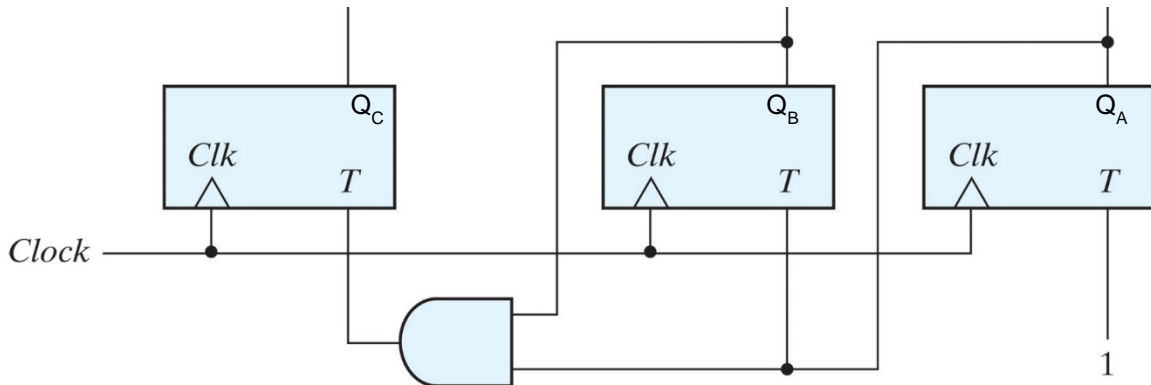
Problem 1

Analyze the following sequential circuits leading to a state diagram.



Problem 2

Analyze the following sequential circuits leading to a state diagram.



Problem 3

Analyze the following circuit leading to its state diagram.

